

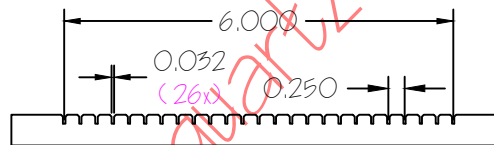
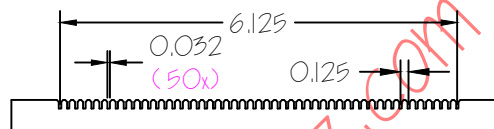
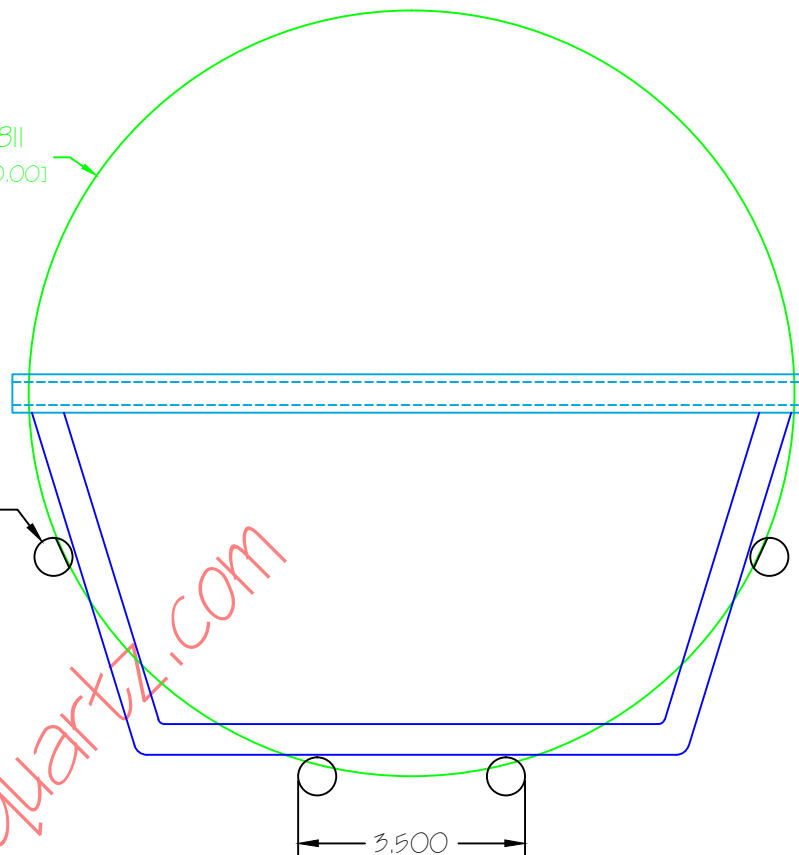
www.amquartz.com

www.amquartz.com

$\varnothing 1.811$
[$\varnothing 300.00$]

$\varnothing 0.590$
[$\varnothing 15.00$]
(4x)

$\varnothing 0.472$
[$\varnothing 12.00$]
(2x)



Part # AMQ-12-XX-032 MP.dwg

U05	TOLERANCES	
DECIMAL INCHES	MILLIMETERS	
X.X = +/- 0.050	X = +/- 1.27	
X.XX = +/- 0.020	X.X = +/- 0.508	
ANGULARITY +/- 1.5	Tube & Rod Per Momentive Standard Tolerances.	
<p>PROPRIETARY</p> <p>THE INFORMATION CONTAINED HEREIN IS THE PROPERTY OF A.M. QUARTZ CORPORATION, AND MAY NOT BE REPRODUCED OR DISCLOSED IN WHOLE OR IN PART WITHOUT THE WRITTEN PERMISSION OF A.M. QUARTZ CORPORATION.</p>		

A.M. Quartz Corporation
 2400 Alabama Drive
 Gainesville, TX 76240

Phone: (940) 612-1011 Fax: (940) 612-1014
 Website: www.amquartz.com Email: amquartz@amquartz.com

Custom Quartz 12" Wafer Carrier Medium Profile

MATERIAL MOMENTIVE 214 Part # AMQ-12-XX-032 LP